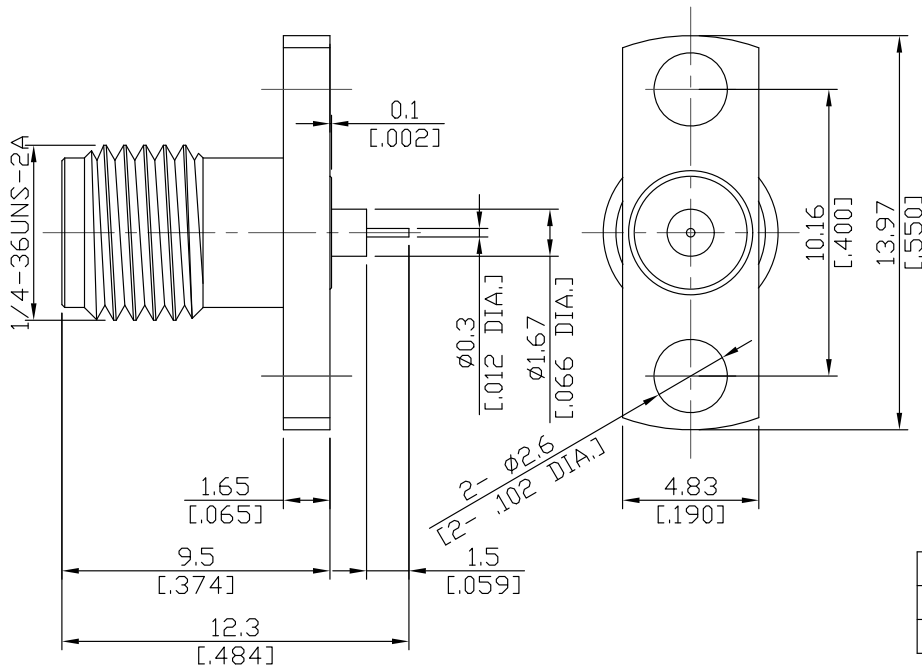
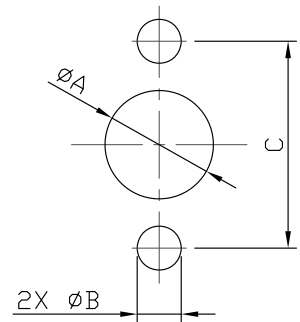


2.92mm Jack (Female) Connector Solder Attachment 2 Hole Flange Mount  
Stub Terminal, 10.16mm (.400 inch) Hole Spacing, DC-40GHz, VSWR 1.20

## K2GTA50-1230B1 / 9X



Mounting Dimension



	mm		inch	
	Max.	Min.	Max.	Min.
A	1.75	1.67	.069	.066
B	2.7	2.6	.106	.102
C	10.23	10.17	.403	.400

All dimensions are in mm [inch]

Tolerances according to DIN ISO 2768-mH

### Interface

According to IEC 61169-35; IEEE Std 287  
Mechanically compatible with 3.50mm and SMA

### Electrical Data

Impedance 50 Ω  
Frequency DC to 40 GHz  
VSWR (Return Loss) ≤ 1.20 (≥ 20.83 dB)  
Insertion Loss ≤ 0.1 × √F (GHz) dB  
Insulation Resistance ≥ 5 GΩ  
Center contact resistance ≤ 3.0 mΩ  
Outer contact resistance ≤ 2.0 mΩ  
Test Voltage 750 V rms  
Working Voltage (at sea level) 250 V rms  
Power Handling ≤ 100 W @ 1 GHz

-VSWR in practical applications depends on installation, PCB layout, and cavity design-

### Material And Plating

Piece Parts	Material	Plating
Centre contact	Beryllium Copper	Gold plating (Non-magnetic nickel-phosphorus underplating)
Body	Stainless Steel	Passivated
Insulator	PEI/PTFE	

2.92mm Jack (Female) Connector Solder Attachment 2 Hole Flange Mount  
Stub Terminal, 10.16mm (.400 inch) Hole Spacing, DC-40GHz, VSWR 1.20

## K2GTA50-1230B1 / 9X

### Mechanical Data

Coupling mechanisms	Screw-lock
Mating Cycles	≥ 500
Centre Contact	Soldered
Terminal Type	Stub
Captivated Type	Mechanical
Center contact captivation	≥ 20 N
Coupling test torque	1.70 Nm
Recommended torque	0.9 Nm

### Environmental Data

Temperature Range	-65°C to +165°C
Thermal shock	MIL-STD-202, Method 107, Condition B
Corrosion	MIL-STD-202, Method 101, Condition B
Vibration	MIL-STD-202, Method 204, Condition D
Shock	MIL-STD-202, Method 213, Condition I
Moisture Resistance	MIL-STD-202, Method 106
RoHS	compliant

### Packing

Single or 100